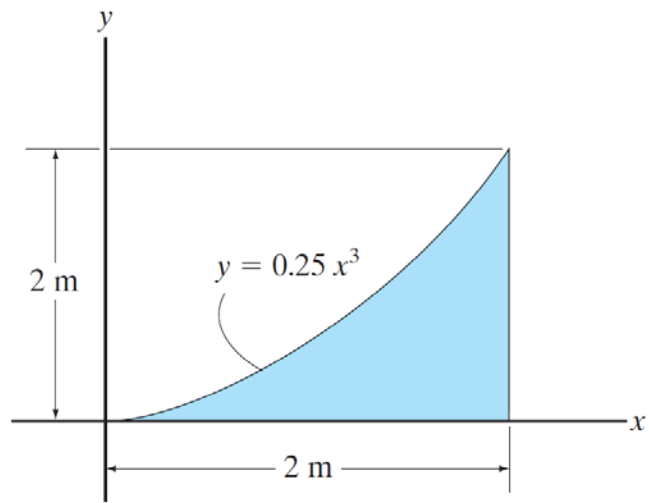
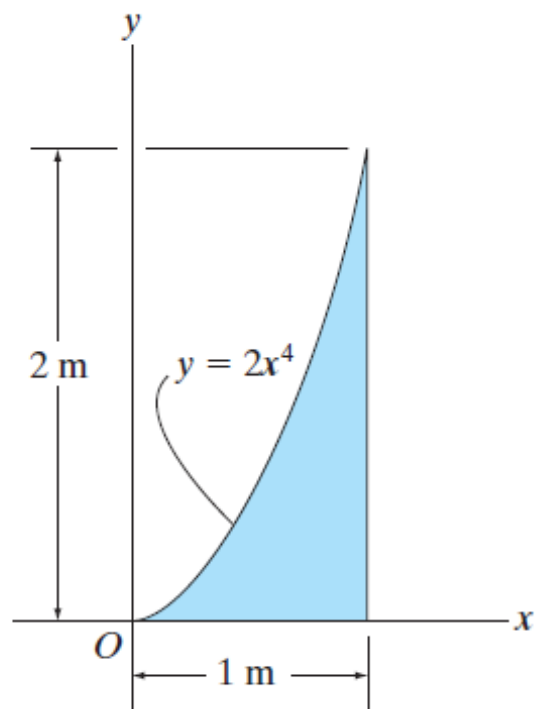


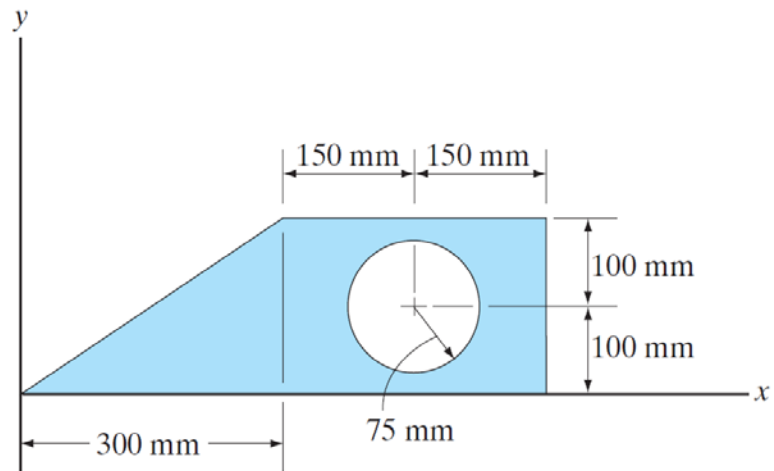
1. Determine the moment of inertia of the area about  $x$  and  $y$  axes. 【试求图示图形对两坐标轴的惯性矩。】



2. Determine the polar moment of inertia of the area about the  $z$  axis passing through point  $O$ . 【试求图示图形对过  $O$  点的  $z$  轴的极惯性矩。】



3. Determine the moment of inertia of the composite area about the  $x$  and  $y$  axes. 【试求图示图形对  $x$  和  $y$  轴的惯性矩。】



4. Determine the product of inertia of the area with respect to the  $x$  and  $y$  axes. 【试求图示图形对  $x$  和  $y$  轴的惯性积。】

